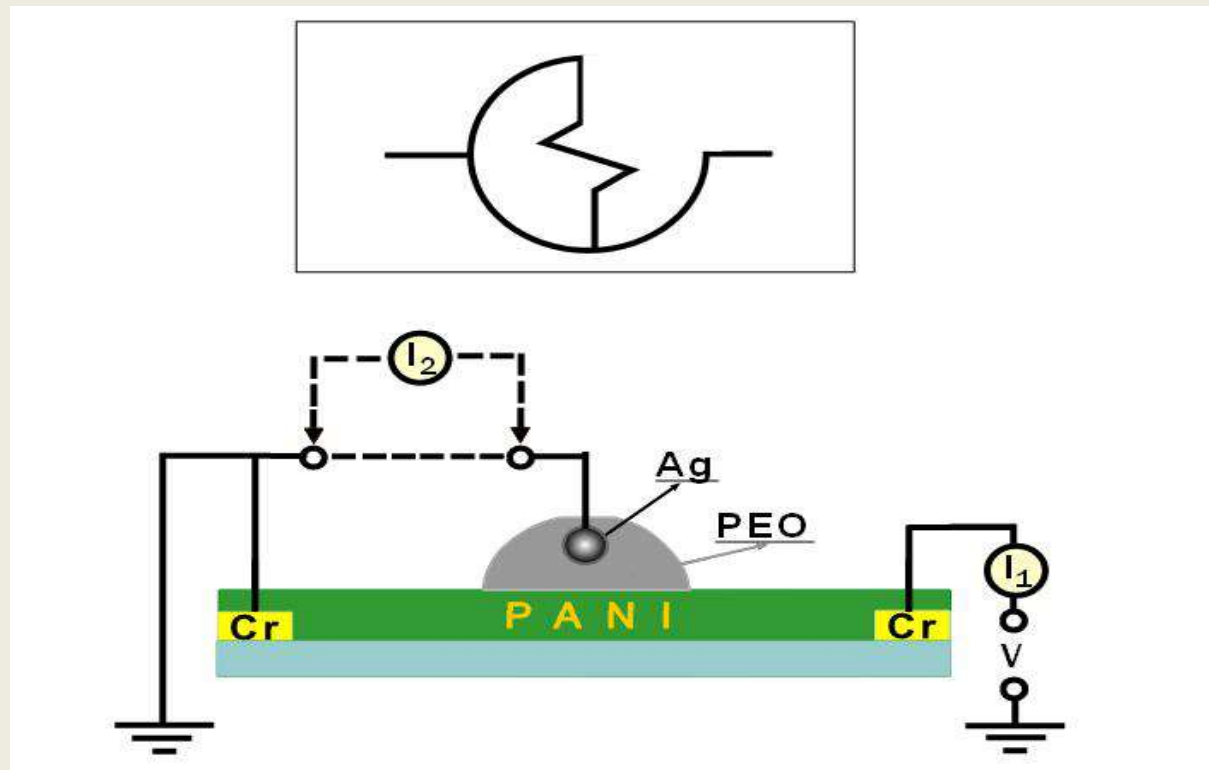


## Further Work on Organic Memristors

at the IPB – 14 October 2016



Branko Tomčik, IPB  
14 Oct 2016, group seminar

